

## **Iso-Flex® Deck-Lock Integrated Membrane System**

### **PRODUCT DESCRIPTION**

The Deck-Lock “DL” Series system is designed to provide dual service for expansion joint details required in split slab plaza conditions. The Deck-Lock design allows for attachment into your structural slab while tying integrally to the between slab membrane waterproofing system. The Deck-Seal system is also adaptable to various topping slab thicknesses and various joint gap openings.

The system has been developed with a focus on ease of installation while combining the most adaptable design lending to the complexities of field conditions. Through the use of threaded races and pre-drilled angles field assembly is simplified and assures for proper fit. The variety of “DL” series seal elements have been developed with enhanced movement and installation simplicity in mind. Our unique PVC Trim Strip concept with the interlocking tab design will also speed the installation process.

### **BASIC USES**

The Iso-Flex Deck-Lock System is used in new and retrofit split slab expansion joints conditions. Applications can include; exterior plazas, “green space” decks, planters, parking structures, stadiums, and other types of concrete structures.

### **ADVANTAGES**

- The system is designed to provide a water-tight solution in split slab construction.
- The system ties easily into structural slab waterproofing membranes.
- The system adapts to various topping slab thicknesses.

- The “DL” series seal provides a relatively flat profile surface that reduces tripping hazards and the collection of debris in the joint.
- The system design allows efficient installation.

### **LIMITATIONS**

- Performance of the Iso-Flex Deck-Lock System is closely tied to preparation and installation techniques as well as structural behavior of the expansion joint. Maintaining close tolerances is essential to the success of this expansion joint system, and this system should only be installed by approved applicators.

### **MAINTENANCE**

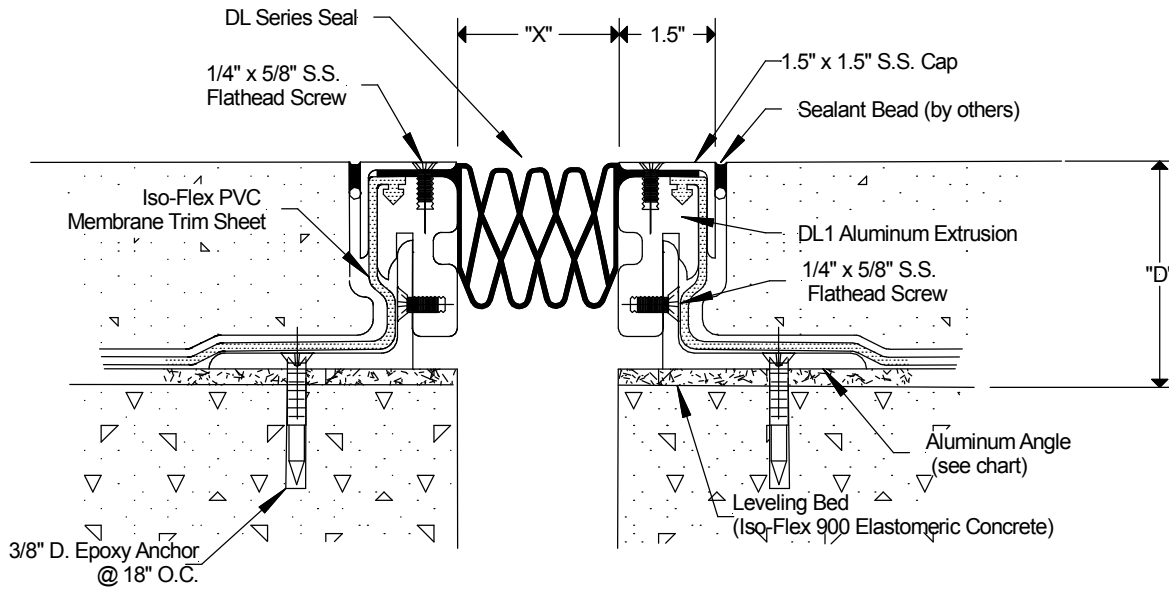
Iso-Flex Deck-Lock Systems may be easily repaired while in service using methods recommended by the manufacturer.

### **PRECAUTIONS**

To ensure safe installation of the Iso-Flex Deck-Lock System, please refer to the Material Safety Data Sheets (MSDS) that accompany each product shipment.

### **WARRANTY**

LymTal warrants that its products are manufactured free of defects and conform to the technical data listed. Under this warranty we will replace, at no charge, any material proven defective when applied in accordance with our written instructions for applications recommended by us as suitable for subject product. LymTal shall not be liable for any injury, loss or damage, direct or consequential, arising out of the use of the product.



SEAL TYPE	TOTAL MOVEMENT	JOINT OPENING SIZE (X)			INSTALLATION WIDTH	
		Minimum	Normal	Maximum	Minimum	Maximum
DL25	<b>2.625</b>	<b>0.625</b>	<b>2.500</b>	<b>3.250</b>	<b>1.250</b>	<b>2.250</b>
	<i>66.675</i>	<i>15.875</i>	<i>63.500</i>	<i>82.550</i>	<i>31.750</i>	<i>57.150</i>
DL35	<b>3.500</b>	<b>0.750</b>	<b>3.500</b>	<b>4.250</b>	<b>1.500</b>	<b>3.250</b>
	<i>88.900</i>	<i>19.050</i>	<i>88.900</i>	<i>107.950</i>	<i>38.100</i>	<i>82.550</i>
DL45	<b>4.000</b>	<b>1.500</b>	<b>4.500</b>	<b>5.500</b>	<b>2.250</b>	<b>4.250</b>
	<i>101.600</i>	<i>38.100</i>	<i>114.300</i>	<i>139.701</i>	<i>57.150</i>	<i>107.950</i>
DL55	<b>5.000</b>	<b>1.500</b>	<b>5.500</b>	<b>6.500</b>	<b>3.000</b>	<b>5.250</b>
	<i>127.001</i>	<i>38.100</i>	<i>139.701</i>	<i>165.101</i>	<i>76.200</i>	<i>133.351</i>

SYSTEM DEPTH "D"	Aluminum Angle		
	Vert. Leg	Horiz. Leg	Thickness
<b>3.500</b>	<b>2.000</b>	<b>2.000</b>	<b>0.250</b>
<i>88.900</i>	<i>50.800</i>	<i>50.800</i>	<i>6.350</i>
<b>4.000</b>	<b>2.500</b>	<b>2.000</b>	<b>0.250</b>
<i>101.600</i>	<i>63.500</i>	<i>50.800</i>	<i>6.350</i>
<b>4.500</b>	<b>3.000</b>	<b>3.000</b>	<b>0.250</b>
<i>114.300</i>	<i>76.200</i>	<i>76.200</i>	<i>6.350</i>
<b>5.000</b>	<b>3.500</b>	<b>3.500</b>	<b>0.250</b>
<i>127.001</i>	<i>88.900</i>	<i>88.900</i>	<i>6.350</i>
<b>5.500</b>	<b>4.000</b>	<b>3.000</b>	<b>0.250</b>
<i>139.701</i>	<i>101.600</i>	<i>76.200</i>	<i>6.350</i>
<b>6.500</b>	<b>5.000</b>	<b>5.000</b>	<b>0.375</b>
<i>165.101</i>	<i>127.001</i>	<i>127.001</i>	<i>9.525</i>

Note: Bold dimensions are in inches and italicized are in millimeters

Revised 12/08

LymTal International, Inc.

4150 South Lapeer Road • Lake Orion, MI 48359 • Tel (248) 373-8100 • Fax (248) 373-3480